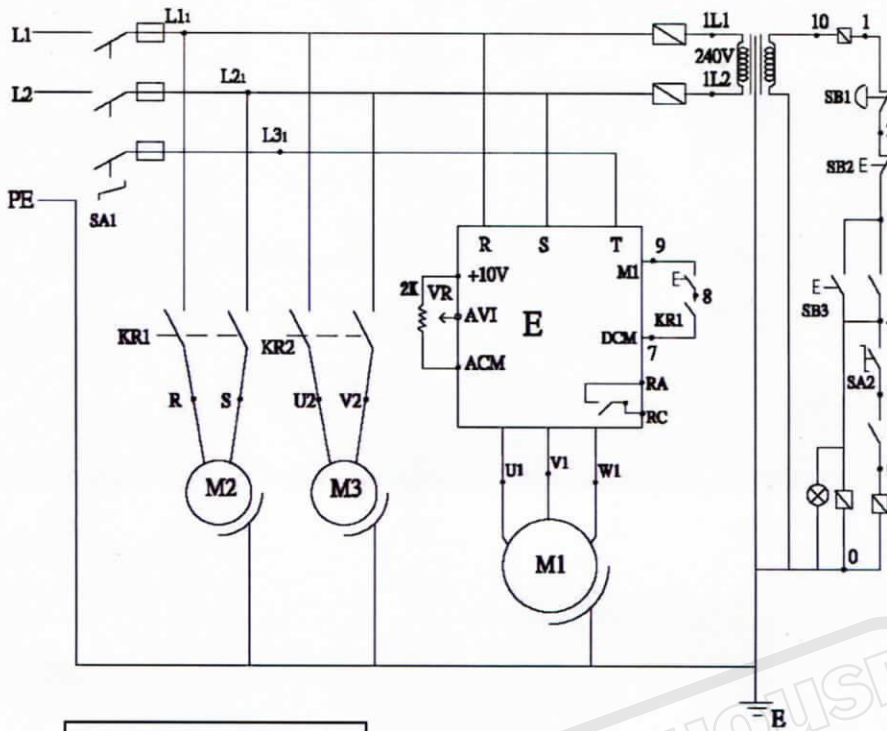
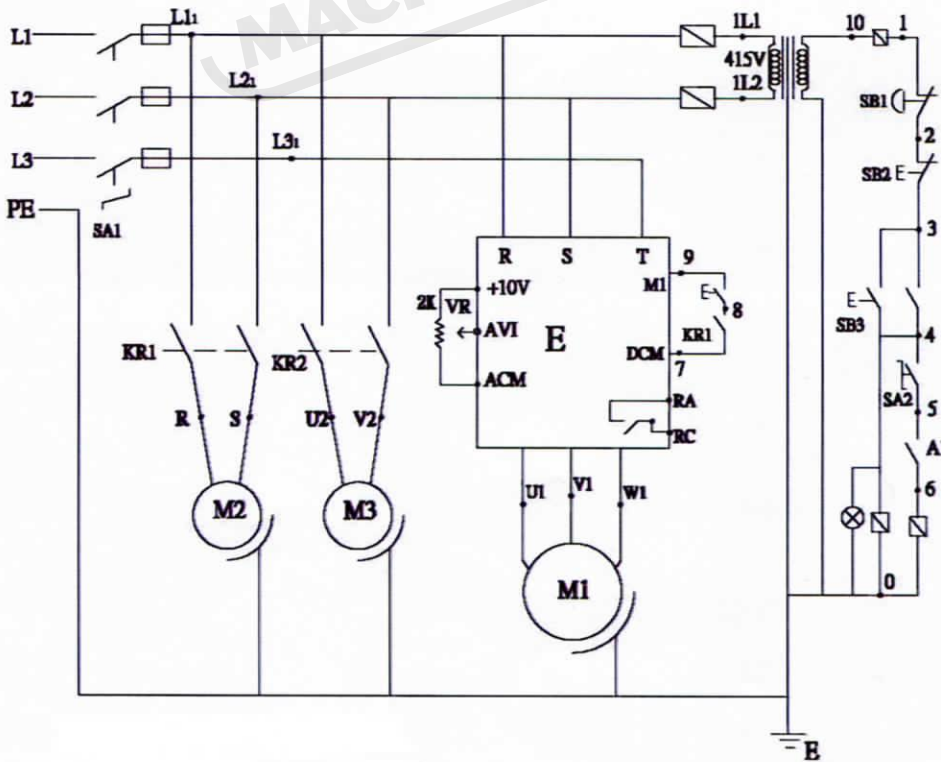


12 WIRING DIAGRAM AND PARTS LIST

12.1 WIRING DIAGRAM



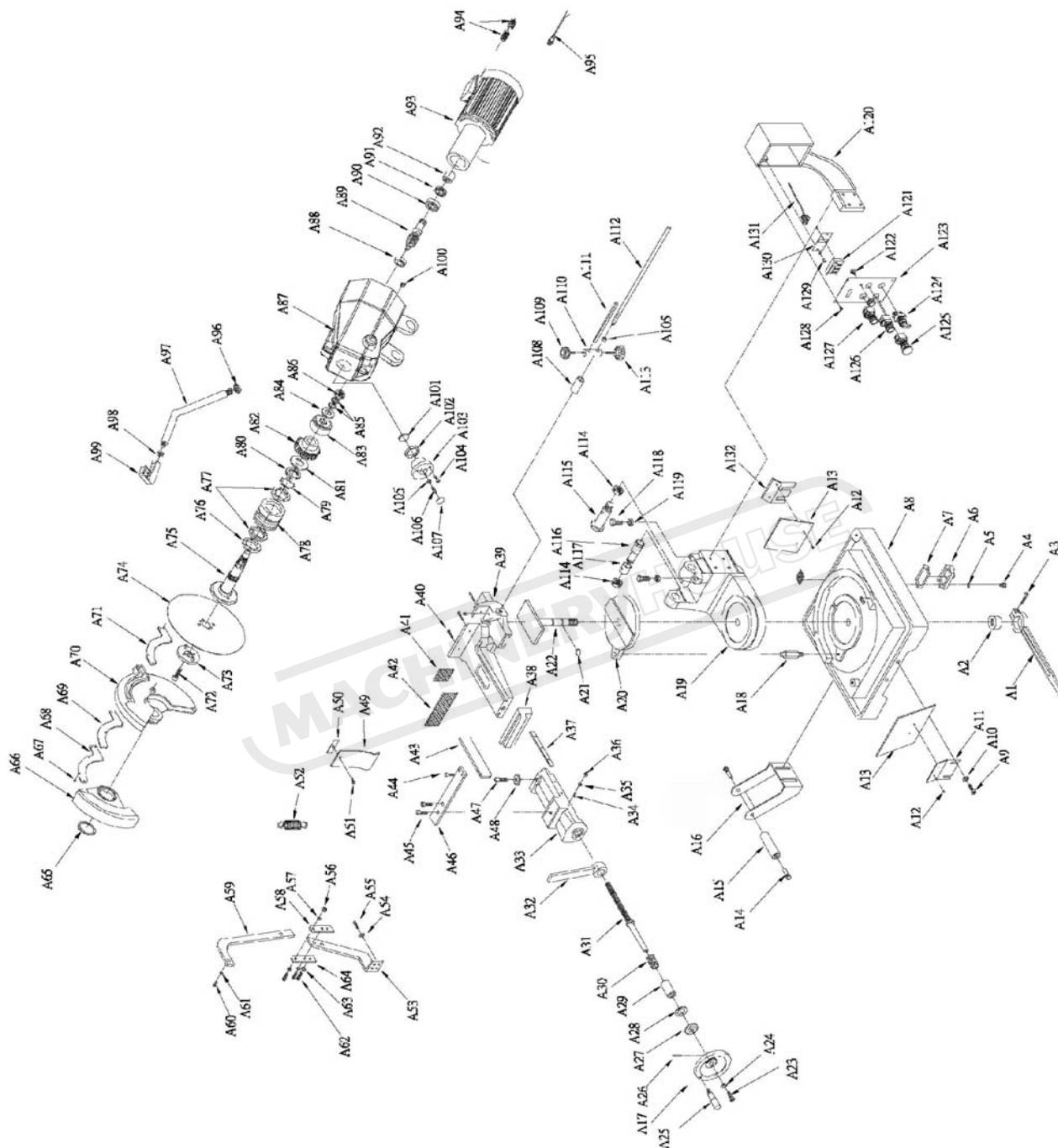
20 AMP CIRCUIT



12.2 PARTS LIST

Item name	Description and function	Technical data	Quantity	Supplier	Suppliers reference	Remarks
F 1 F 2 F 3	Fuses Fuses base	30x6.2mm 250V 0.5A 0.5A 1A 10A 1P	1 1 1 3	BOSSING CHIA WEI	JMC-63 FSB-104	ROHS
KR 1 KR 2	Relay	250VAC 5A	1 1	BETA	AC 24V BMY-5-4C-5 BMY-5-2C-5	CE CSA
A1	Variable speed AC Motor driver	460V 4A 230V 7A 2.2KW	1	DALTA	022E43 022E21	CE
TC	Transformer	35VA 230/24V ,400V/24V	1	TAI CHUNG	# 57	
SB1	Emergency Stop	250V 6A	1	KEYON	SKB2-BS542	CE CUS
SB2 SB3	Stop button Start button	250V 6A	1 1	N.H.D.	24V NPB-22-F-1B NLB-22-F-G1A	CE CUS
SB4	Trigger switch	15A 1/2HP 125 250VAC 0.6A 125VDC 0.3A 250VDC	1	OMRON	V-15-1A5	CE CUS
SA1	Main switch	16A440VAC	1	KEDU	ZH-C316	CE
SA2	Pump switch	250V	1	N.H.D.	NSS-22-S2-1A	CE CUS
VR	Adjust-speed switch	5K Ω Max.	1	TOCOS	RVT24YNM 20SB502	JIS
M1	Motor	400V,230V/ (2.2kw) 3HP 3ph	1	KAI SHEN		
M2	Motor Fan (Ventilator)	220~240V 0.12 / 0.11A 380~400V 0.06 / 0.07A 415~460V 0.07 / 0.05A	1	KAKU	KA1238HA2SAT KA1238HA3 KA1238HA4	IP55 CE
M3	Coolant pump	400V / 3ph, 230V/1PH (0.09kw) 1/8HP	1	KAI SHEN		

12.3 Explosion draw



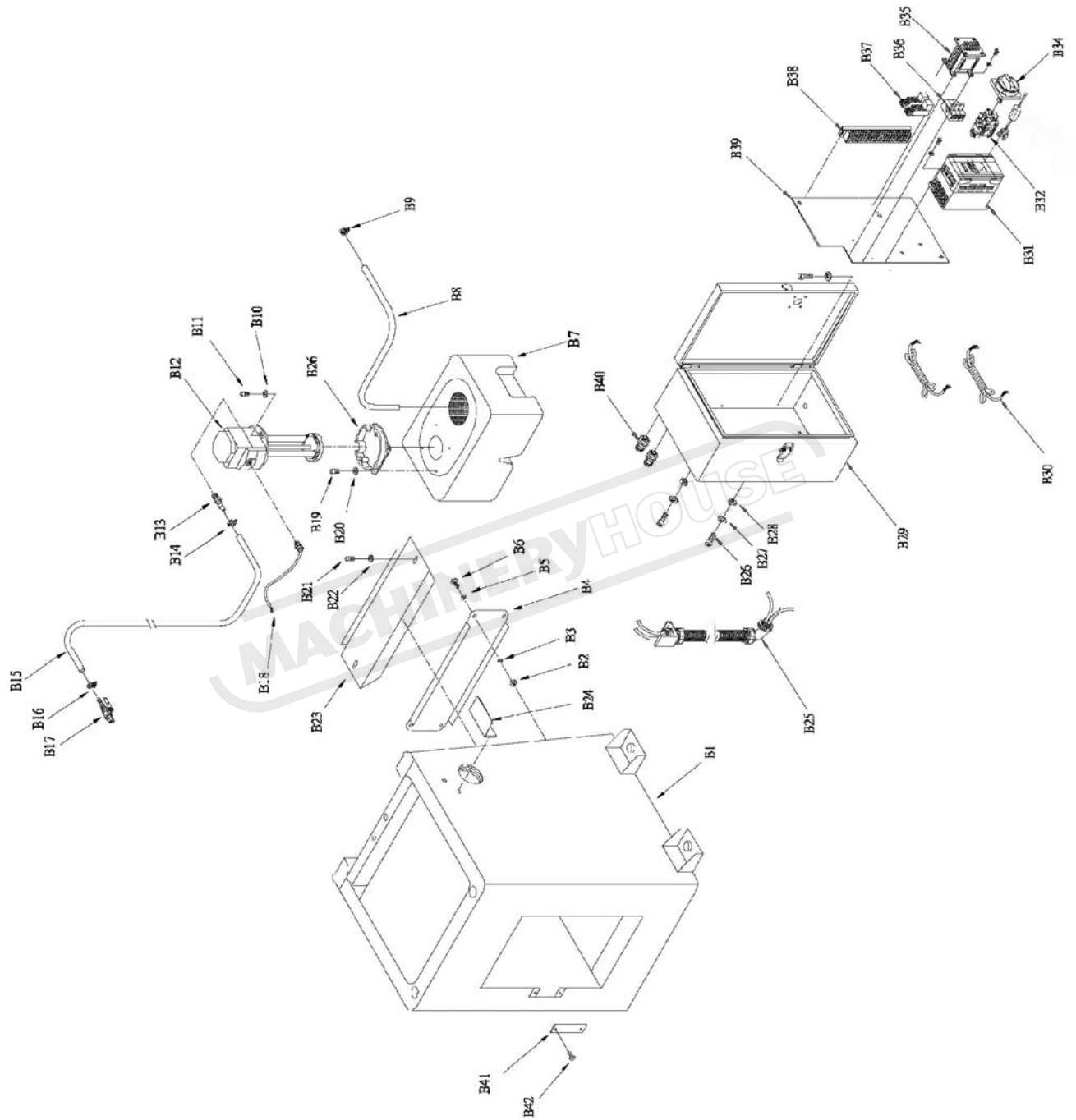
12.4 Parts List- Part A

Index NO.	Description	Size	Q'TY	Index NO.	Description	Size	Q'TY
A1	Lock handle		1	A39	Vise bench		1
A2	Lock Nut		1	A40	Hex socket cap screw	M5x25	3
A3	Hex socket cap screw		1	A41	Small grooved jaw		1
A4	Hex socket cap screw	M8x25	2	A42	Grooved jaw		1
A5	Washer	5/16"	2	A43	Stopper		1
A6	Drainage		1	A44	Hex socket cap screw	M8x20	2
A7	Rubber		1	A45	Hex socket cap screw	M8x25	2
A8	Base		1	A46	Plate (vise)		1
A9	Hex socket cap screw	M8x16	2	A47	Hex socket cap screw	M8x25	1
A10	Washer	5/16"	2	A48	Washer		1
A11	Support plate		1	A49	Anti-dust plate		1
A12	Screw		2	A50	Holder plate		1
A13	Anti-spray plate		2	A51	Screw		1
A14	Hex head screw		2	A52	Sping		1
A15	Roller		1	A53	Lower switching plate		1
A16	Roller bracket		1	A54	Washer		2
A17	Handle wheel		1	A55	Hex socket cap screw		2
A18	Support rod		1	A56	Nut		1
A19	Swing arm(base)		1	A57	Washer		1
A20	Slide base		1	A58	Joint plate w/thread		1
A21	C-clip		1	A59	Swing handle		1
A22	Center shaft		1	A60	Hex socket cap screw	M6x12	1
A23	Hex socket cap screw	M8x20	1	A61	Washer	1/4"	1
A24	Washer	M10	1	A62	Hex socket cap screw	M8x20	3
A25	Grip		1	A63	Washer	5/16"	2
A26	Set screw		1	A64	Joint plate		1
A27	Bearing cover		1	A65	C-clip		1
A28	Bearing		1	A66	Blade shield		1
A29	Bushing		1	A67	Screw	M5x10	7
A30	Sping		1	A68	Plate (cover)		1
A31	Leading screw		1	A69	Rubber		2
A32	Lock handle		1	A70	Blade cover (casting)		1
A33	Slide vise		1	A71	Plate (cover)		1
A34	Set screw		3	A72	Hex socket cap screw	M12x35	1
A35	Washer		3	A73	Fixing flange		1
A36	Nut		3	A74	Saw blade (optional)	350mm	1
A37	Gib		1	A75	Spindle shaft		1
A38	Vise clamp		1	A76	Oil seal	50.72.8.	1

12.5 Parts List- Part A

Index NO.	Description	Size	Q'TY	Index NO.	Description	Size	Q'TY
A77	Taper roller	32008	2	A112	Lower length setting rod		1
A78	Spindle sleeve		1	A113	Lock bolt with knob		1
A79	Star washer		1	A114	Locking nut		2
A80	Locking nut		1	A115	Shaft (right)		1
A81	Spacer		1	A116	Shaft (left)		1
A82	Worm gear		1	A117	Bushing		1
A83	Bushing		1	A118	Hex head screw		2
A84	Plate, stopper		1	A119	Nut		2
A85	Disc spring washer		2	A120	Control arm		1
A86	Locking nut		1	A121	Digital display		1
A87	Machine head		1	A122	Speed control knob		1
A88	Ball bearing	6301	1	A123	Control panel		1
A89	Worm shaft		1	A124	Pump selection switch		1
A90	Ball bearing	5305	1	A125	Emergency switch		1
A91	Oil seal	25x52x10	1	A126	Start button		1
A92	Coupling		1	A127	Stop button		1
A93	Motor	3HP	1	A128	Screw		4
A94	Wire relief		2	A129	Hex socket cap screw		2
A95	Control wire		1	A130	Support plate		1
A96	Nut	M20	1	A131	Transmission wire		1
A97	Control handle rod		1	A132	Support plate, rear		1
A98	Nut	M16	1				
A99	Handle with trigger switch		1				
A100	Oil pilot		1				
A101	Gasket		1				
A102	Oil ring	5x55	2				
A103	Casting plug		1				
A104	Hex socket cap screw	M6x20	3				
A105	Nut	M10	1				
A106	Set screw	M10x35	1				
A107	Oil seal		1				
A108	Bushing for length setting rod		1				
A109	Lock bolt with knob	5x55	1				
A110	Bracket, length setting		1				
A111	Upper length setting rod		1				

12.6 Explosion draw



12.7 Parts List- Part B

Index NO.	Description	Size	Q'TY
B1	Stand,		1
B2	Nut	M6	4
B3	Washer	1/4"	4
B4	Suppot plate		1
B5	Washer	1/4"	4
B6	Hex cap screw	M6x15	4
B7	Coolant tank		1
B8	Hose		1
B9	Hose clamp		1
B10	Washer	1/4"	2
B11	Hex socket cap screw	M6x16	2
B12	Coolant pump		1
B13	Hose connector		1
B14	Hose clamp		1
B15	Hose	3/8"	1
B16	Hose clamp		1
B17	Valve		1
B18	Pump wire		1
B19	Hex cap screw	M6x15	4
B20	Washer	1/4"	4

Index NO.	Description	Size	Q'TY
B21	Hex cap screw	M6x15	2
B22	Washer	1/4"	2
B23	Suppot plate for tank		1
B24	Protector, plate		1
B25	Gooseneck tube		1
B26	Hex cap screw		4
B27	Washer		4
B28	Nut		4
B29	Electrical box		1
B30	Power cord		1
B31	Inverter		1
B32	Safety door switch		1
B35	Transformer		1
B36	Fuse and fuse base		1
B37	Relay		2
B38	Terminal plate		1
B39	Circuit board		1
B40	Wire relief		2
B41	Screw		2
B42	Plate, cover		1